

Vacuum Blocks VCBL-G-K1

Height 30 mm



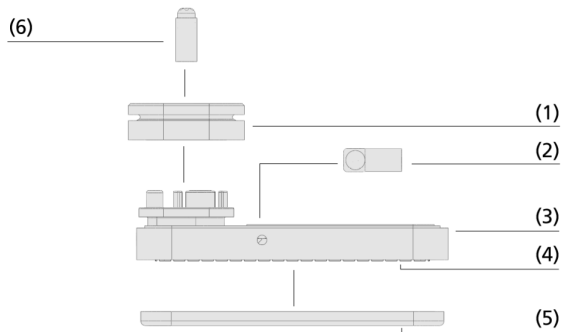
Suitability for industry specific applications

Application

- Vacuum blocks for use directly on the MDF wear plate of a nesting machine table
- The vacuum blocks are supplied with vacuum via hoses that are connected to the template connection of the machine
- The low working height of 30 mm makes it ideal for 3-axis machining centers with low Z-values
- All vacuum blocks are equipped with a touch valve for activating the vacuum only after contacting the workpiece to preserve the workpiece surface



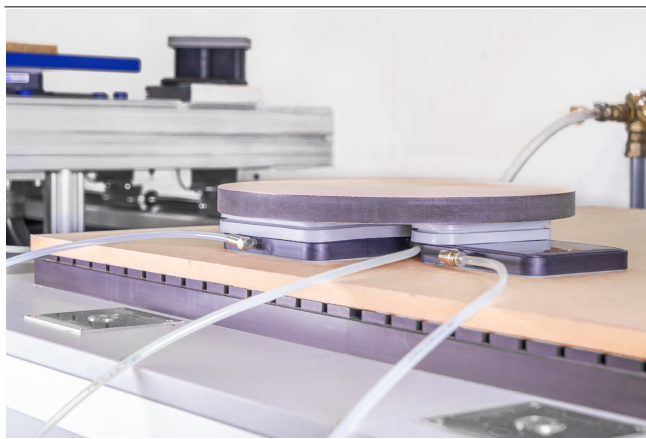
Vacuum Blocks VCBL-G-K1



Design

- Top suction plate (1) for fixing the workpiece
- Hose connection (2) with M5 internal thread for connection to the template connection of the CNC machine
- Robust main body (3) made of aluminum
- Special friction pad on the bottom (4)
- Replaceable foam rubber seal (5) for applying suction to the MDF sheet
- Touch valve (6) made of soft plastic

System design Vacuum Blocks VCBL-G-K1



Vacuum blocks VCBL-G-K1 used on an MDF wear plate

Product highlights

- Hose connection option allows easy connection to the vacuum supply
- Easy replacement of the suction plate in case of wear
- Friction pad milled to size on the underside optimized for smooth surfaces
- Smooth-running plastic touch valve allows damage-free fixation of the workpiece

Vacuum Blocks VCBL-G-K1

Height 30 mm

Designation code Vacuum Blocks VCBL-G-K1

VCBL-G-K1	–	120x50	–	x30
1		2		3

1 – Abbreviated designation

Code	Type
VCBL-G-K1	Vacuum blocks for nesting tables, 1-circuit system

2 – Suction area

Code	LxW in mm
120x50...	120x50 and 140x115
140x115	

3 – Height

Code	Height in mm
x30	30

The vacuum block VCBL-G-K1 is delivered assembled. The product consists of:



- Suction plate with the dimensions 140x115 mm or 120x50 mm
- Main body made of aluminum
- Friction plate bottom
- Plug union type STV

Available spare parts: suction plate, touch valve, plug union

Ordering data Vacuum Blocks VCBL-G-K1

Type	Part no.
VCBL-G-K1 140x115x30	10.01.12.03766 
VCBL-G-K1 120x50x30	10.01.12.03776 

Ordering data Spare parts Vacuum Blocks VCBL-G-K1

Spare parts	Part no.
Suction plate (top)	VCSP-O 120x50x15.5 TPE 10.01.12.00012 
Suction plate (bottom)	VCSP-U 140x115x16.5 VCBL-K1 TPE 10.01.12.00228 

Spare parts	Part no.
Touch Valve	TV D9 4.3 10.01.12.02514

Type	Spare parts	STV-W M5-AG 6	STV-W M5-AG 4
VCBL-G-K1	Plug union, elbow	10.08.02.00235	10.08.02.00155

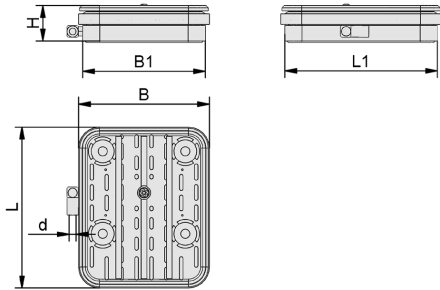
Technical data Vacuum Blocks VCBL-G-K1

Type	Design hose type
VCBL-G-K1 140x115x30	Hose D = 6 d = 4
VCBL-G-K1 120x50x30	Hose D = 6 d = 4

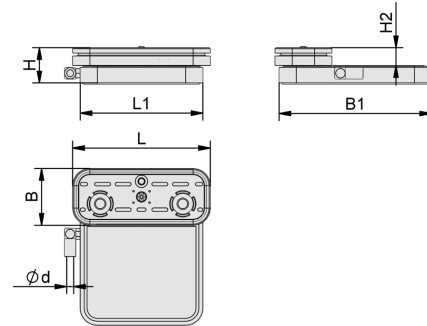
Vacuum Blocks VCBL-G-K1

Height 30 mm

Design data Vacuum Blocks VCBL-G-K1



VCBL-G-K1 140x115



VCBL-G-K1 120x50

Vacuum Blocks VCBL-G-K1

Height 30 mm

 Design data Vacuum Blocks VCBL-G-K1

Type	B [mm]	B1 [mm]	d [mm]	H [mm]	H2 [mm]	L [mm]	L1 [mm]
VCBL-G-K1 140x115x30	114	107	6	30	-	140	133
VCBL-G-K1 120x50x30	50	133	6	30	14	120	107